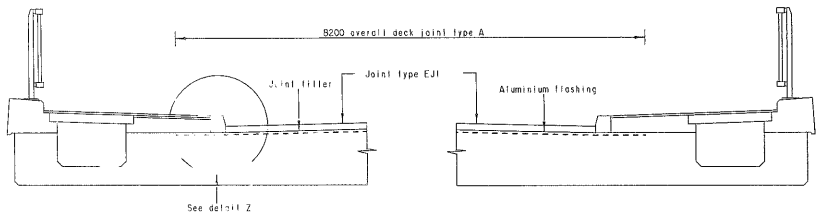


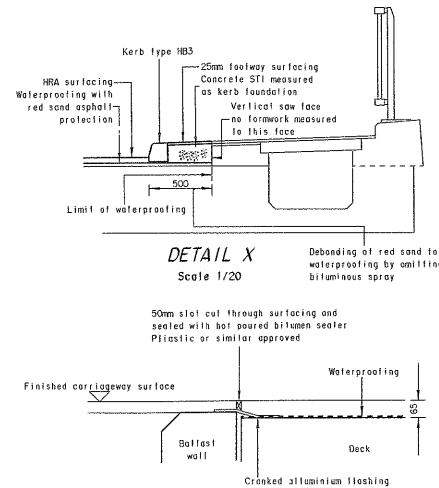
HALF PLAN ON DECK  
Scale 1/100

NOTES:-

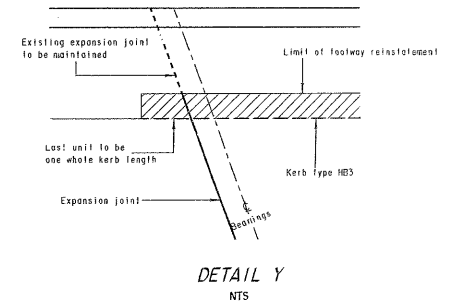
1. GENERAL
  - 1.1 All materials shall be installed or applied in accordance with the manufacturer's recommendations.
2. WATERPROOFING
  - 2.1 Bridge deck waterproofing shall be a proprietary sprayed system to clause 2003.3.
  - 2.2 The 20mm red bituminous protection to clause 2003.4, shall be applied to the whole area indicated. Protection to be applied to waterproofing surfaces up to 3. degrees to the horizontal.
3. ROADWORKS
  - 3.1 All roadworks are to comply with the relevant series of the specification.
  - 3.2 Finished surfacing levels shall maintain the profile of the existing carriageway.



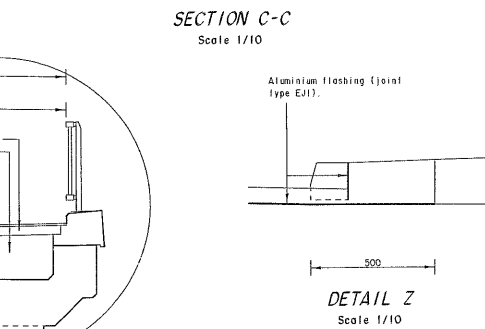
CRANKED SECTION B-B JOINT TYPE EJI  
NTS



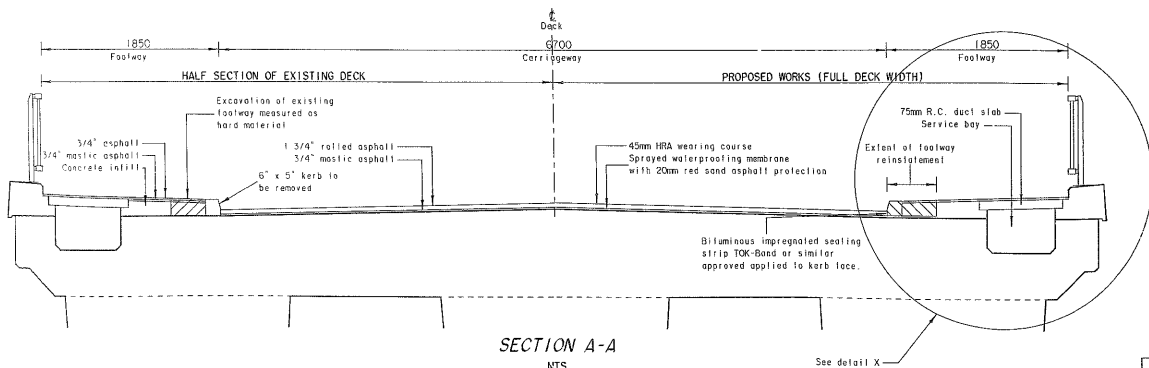
DETAIL X  
Scale 1/20





DETAIL Y  
NTS



SECTION C-C  
Scale 1/10



SECTION A-A  
NTS

DESIGN AGENT	 <b>GLOUCESTERSHIRE Design</b> <small>RICHARD WIGHTON CHARTERS ENGINEER, SURVEYOR, GLoucESTER, G.L. 27th. A COUNTY SURVEYOR'S BUSINESS ENTERPRISE</small>	
CLIENT	 <b>THE DEPARTMENT OF TRANSPORT</b> SOUTH WEST REGION DIRECTOR (NETWORK MANAGEMENT) A. P. MOSS M.A. T.D. M.I.C.E. M.I.H.T.	
PROJECT	<b>M5 MOTORWAY OVERBRIDGES WATERPROOFING CONTRACT No 2</b>	
TITLE	<b>STOKE ORCHARD TREDINGTON No B927 GENERAL DETAILS</b>	
ORIGINAL SCALE	DESIGNED <i>JP</i>	VERIFIED <i>JP</i>
AS SHOWN	DATE Oct 93	DATE <i>Jan 94</i>
CLIENT REF.	DRAWING No.	REV.
	6070.93.B927.01	

REV	AMENDMENT	DESIGNED	DATE	VERIFIED	DATE



6070.93.B927.01